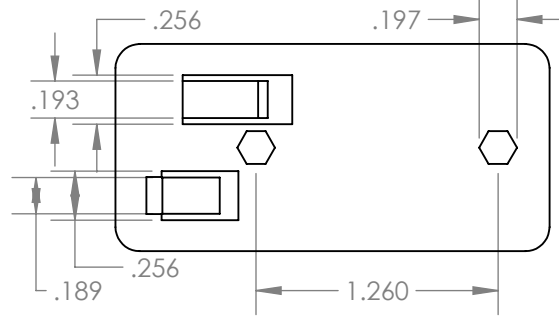
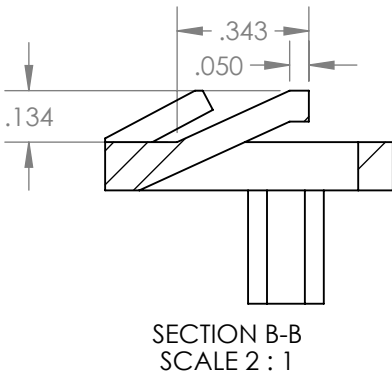
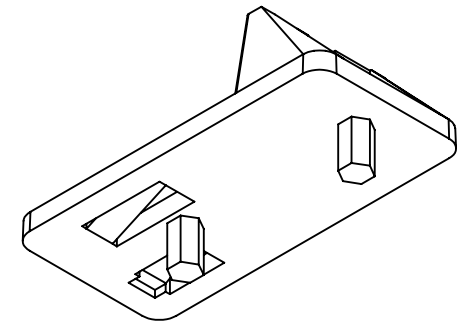
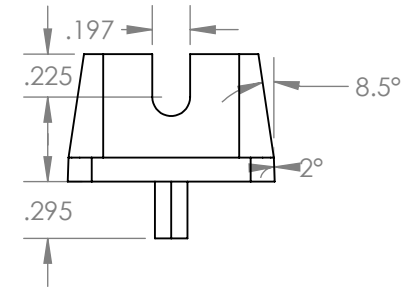
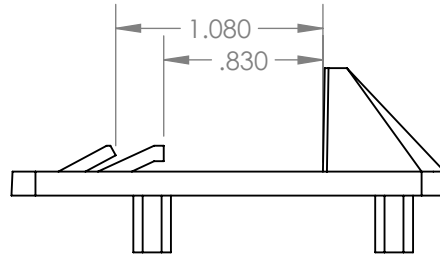
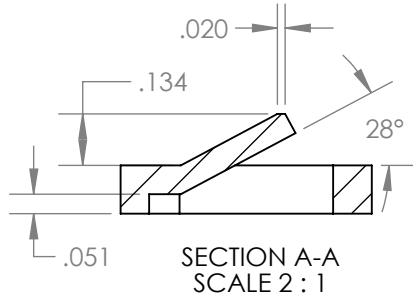
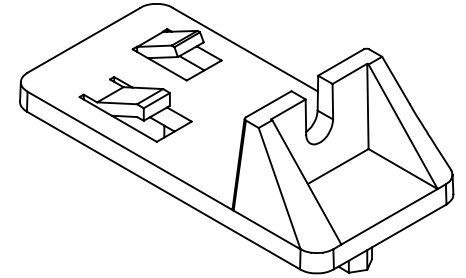
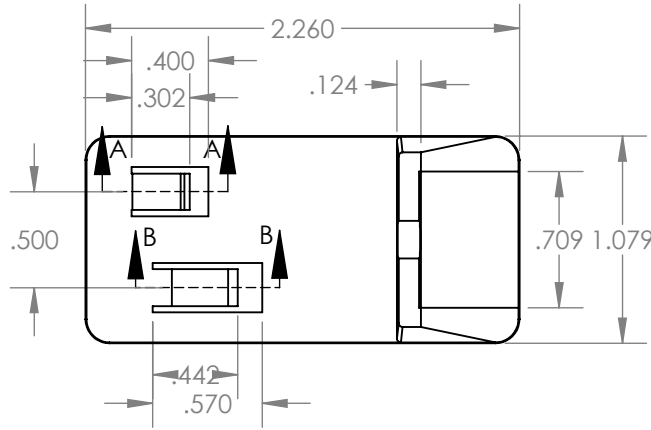


- NOTES:
 1. REFER TO 3D CAD FOR COMPLETE GEOMETRY
 2. BREAK ALL SHARP EDGES

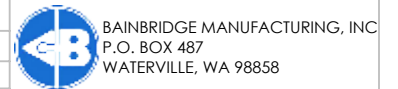
REVISIONS			
REV.	DESCRIPTION	DATE	APPROVED
P01	INITIAL CONCEPT	2/13/17	
P02	TOUNGES SHORTENED; P/N CHANGED	4/26/17	
P03	NAME CHANGE	6/21/17	



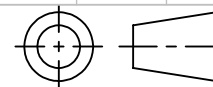
PART FILE NAME: 3220
 REVISION: P03

UNLESS OTHERWISE SPECIFIED:
 DIMENSIONS ARE IN INCHES AND MILLIMETERS [MM], TOLERANCES:
 INCHES MILLIMETERS
 .X : ±0.1 [X] : [±3]
 .XX : ±0.03 [X.X] : [±0.8]
 .XXX : ±0.015 [X.XX] : [±0.38]
 ANGULAR:
 MACHINE: ±0.5°, BEND: ±1.0°
 GEOMETRIC TOLERANCING PER:
 ASME-Y14.5-94
 MATERIAL: PC
 DO NOT SCALE

	DATE	NAME
DESIGNED	1.5.17	Soderstrom
DRAWN	MM/DD/YY	XXX
CHECKED	MM/DD/YY	N/A
ENG. APPR.	MM/DD/YY	N/A
MFG. APPR.	MM/DD/YY	N/A
Q.A.	MM/DD/YY	N/A



TITLE:
 SHELF SUPPORT #32201



SIZE: A	DRAWING NUMBER: 170307	REV: P03
SCALE: 1:1	WEIGHT: 7.74 g	SHEET 1 OF 1

PROPRIETARY AND CONFIDENTIAL: THE INFORMATION CONTAINED IN THIS DRAWING IS THE SOLE PROPERTY OF BAINBRIDGE MANUFACTURING, INC. ANY REPRODUCTION IN PART OR AS A WHOLE WITHOUT THE WRITTEN PERMISSION OF BAINBRIDGE MANUFACTURING, INC. IS PROHIBITED.